



## **EINZELTEIL-LISTEN**

**RB 06/2020-7**

gültig ab / valid from 01.01.2020

## **SPARE PART LISTS**

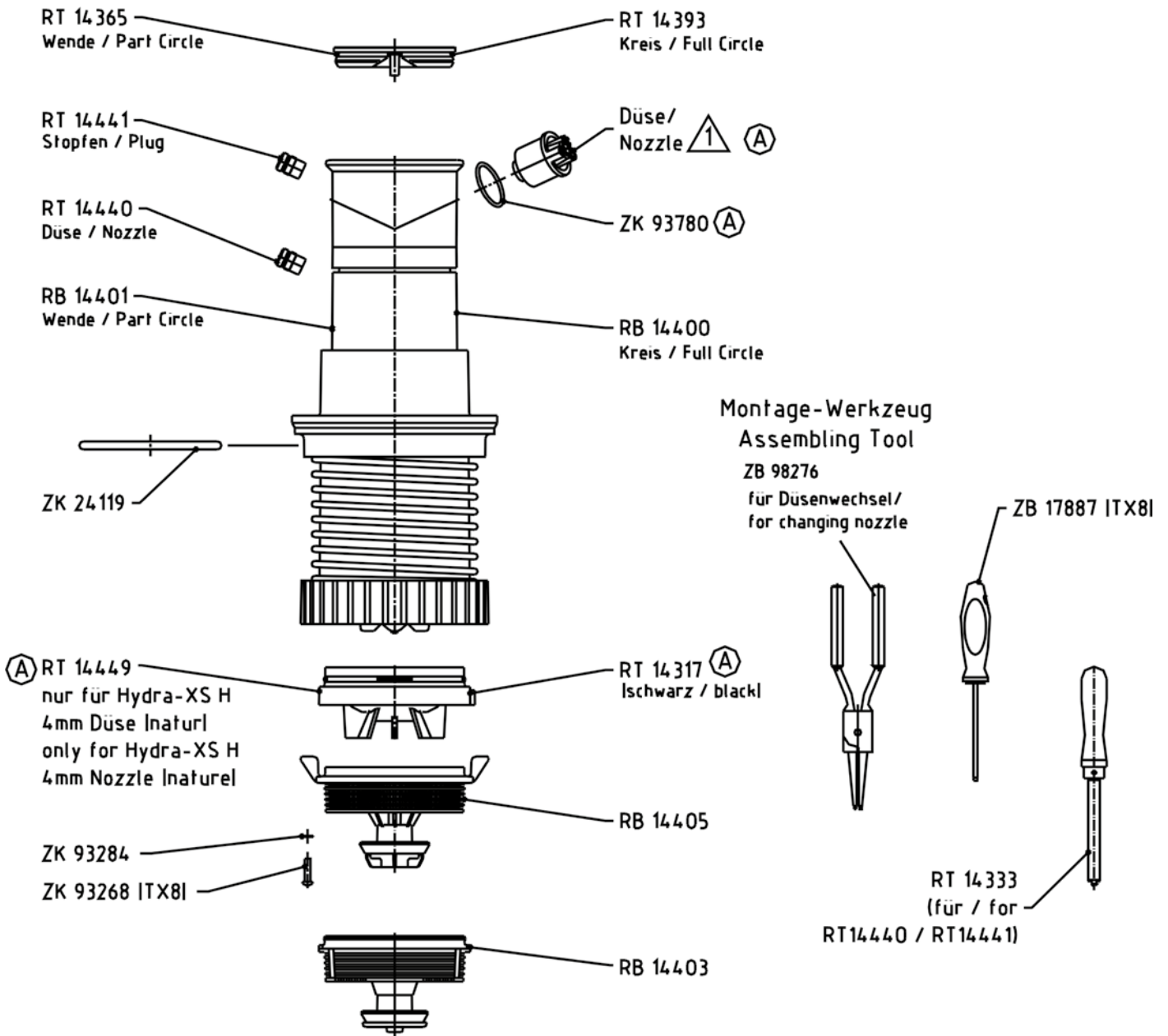
**Versenkregnerprogramm  
Pop-up sprinkler**

**HYDRA S / HYDRA-2 S**

**Regnerbau Calw GmbH  
Industriestrasse 19-29  
D- 75382 Althengstett**

Telefon: +49(0)7051 / /162 0  
Telefax: +49(0)7051 / 162 133  
E-Mail: [perrot@perrot.de](mailto:perrot@perrot.de)  
Internet: [www.perrot.de](http://www.perrot.de)

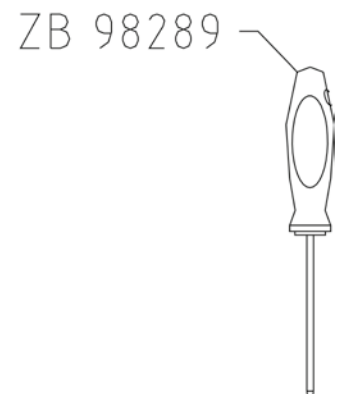
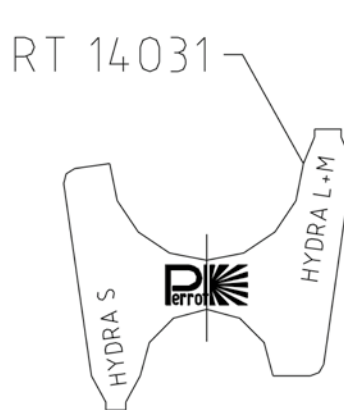
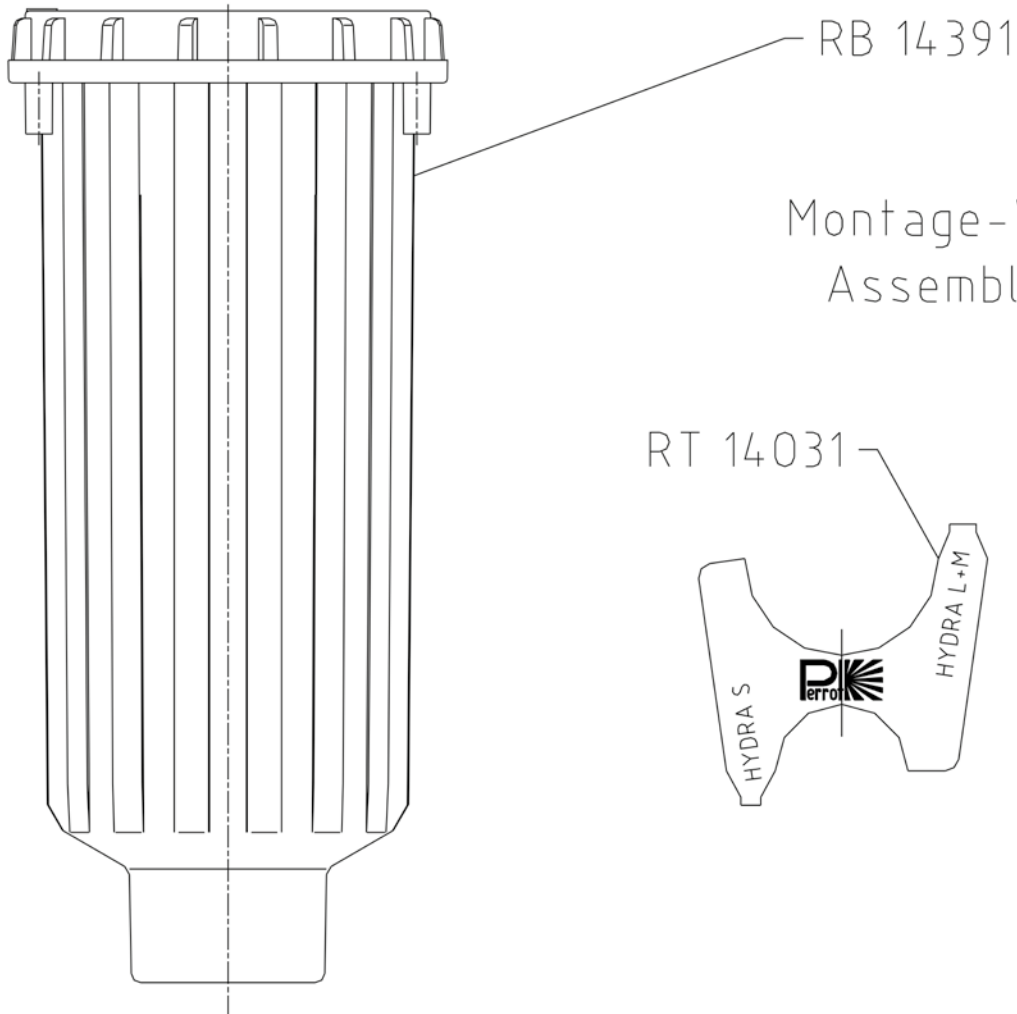
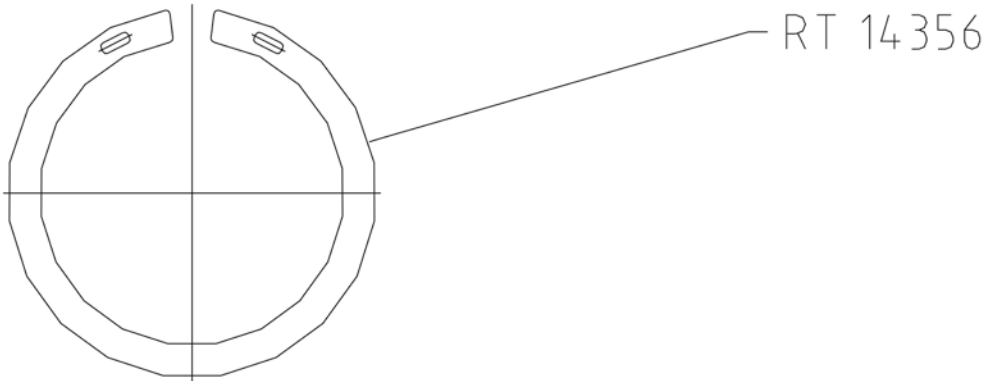
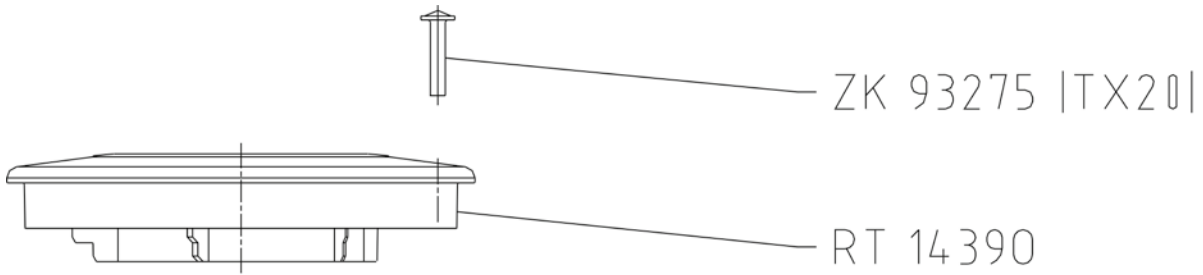
# HYDRA + HYDRA-2 S Einsatz / Inset



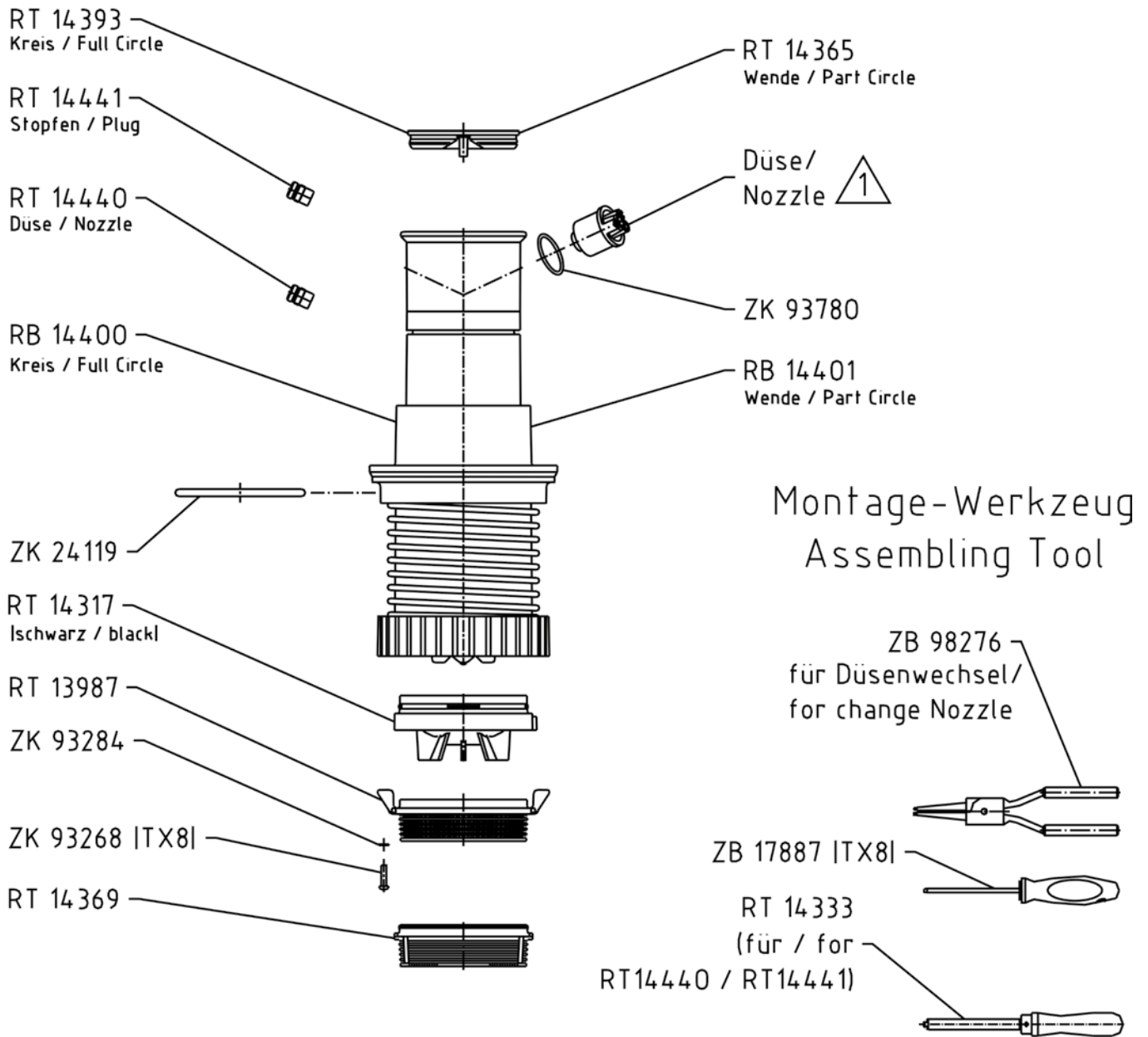
| Hydra-S H<br>Kreis-Einsatz/<br>Full Circle Insert | Hydra-S WH<br>Wende-Einsatz /<br>Part Circle Insert | Hydra-S WDH<br>Wende-Einsatz /<br>Part Circle Insert |
|---|---|--|
| RB 14585 9,0mm                                    | RB 14595 9,0mm                                      | RB 14625 9,0mm                                       |
| RB 14584 8,0mm                                    | RB 14594 8,0mm                                      | RB 14624 8,0mm                                       |
| RB 14583 7,0mm                                    | RB 14593 7,0mm                                      | RB 14623 7,0mm                                       |
| RB 14582 6,0mm                                    | RB 14592 6,0mm                                      | RB 14622 6,0mm                                       |
| RB 14581 5,0mm                                    | RB 14591 5,0mm                                      | RB 14621 5,0mm                                       |
| RB 14580 4,0mm                                    | RB 14590 4,0mm                                      | RB 14620 4,0mm                                       |

| Düse / Nozzle | Hydra- S |     |
|---------------|----------|-----|
|               | H/WH     | WDH |
| φ9,0 mm       | RB 14666 |     |
| φ8,0 mm       | RB 14665 |     |
| φ7,0 mm       | RB 14664 |     |
| φ6,0 mm       | RB 14663 |     |
| φ5,0 mm       | RB 14662 |     |
| φ4,0 mm       | RB 14661 |     |

# HYDRA + HYDRA-2 S Gehäuse, Unterbau / Case, Body



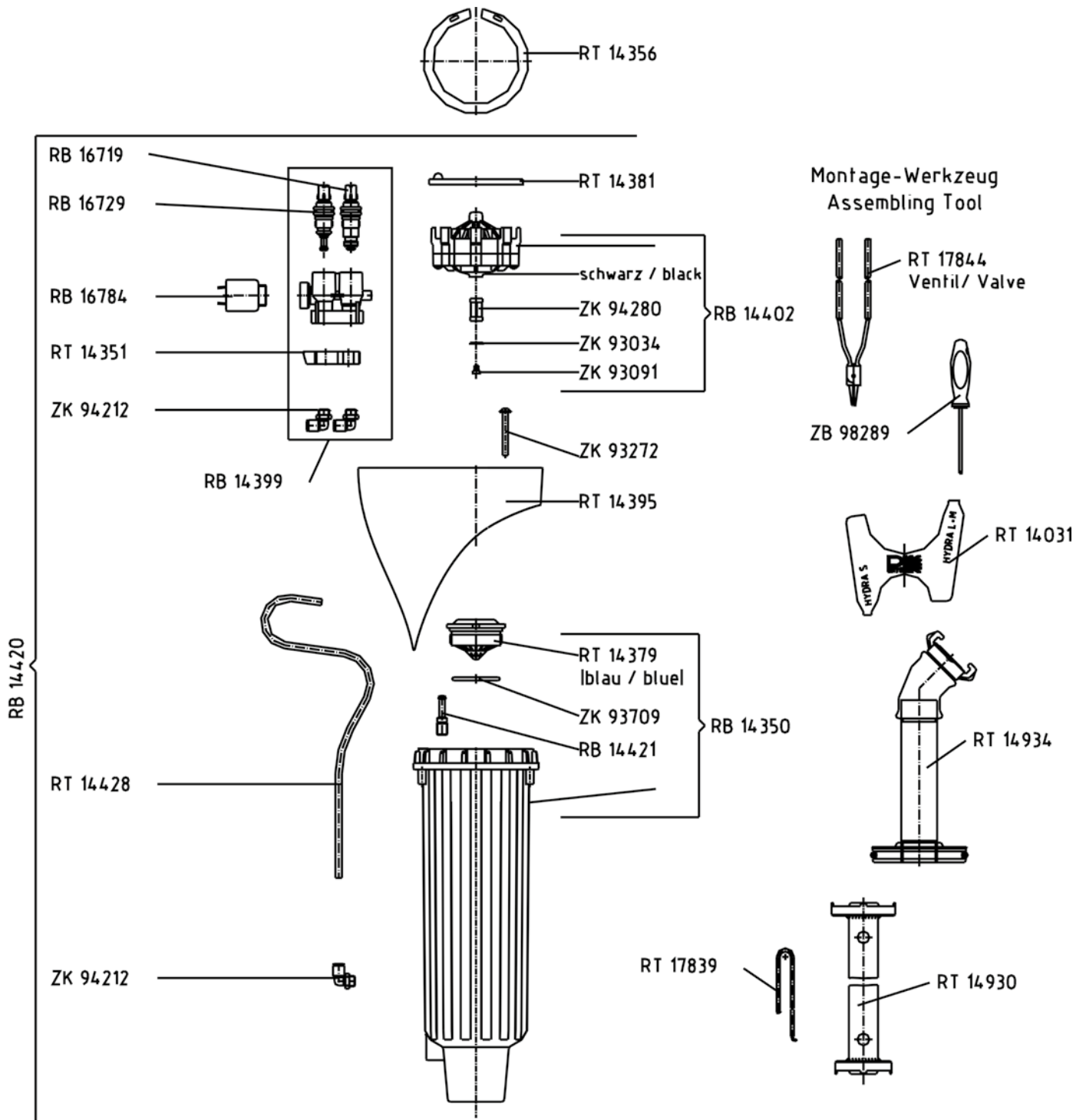
# HYDRA + HYDRA-2 S VAC / WVAC / WDVAC Einsatz / Inset



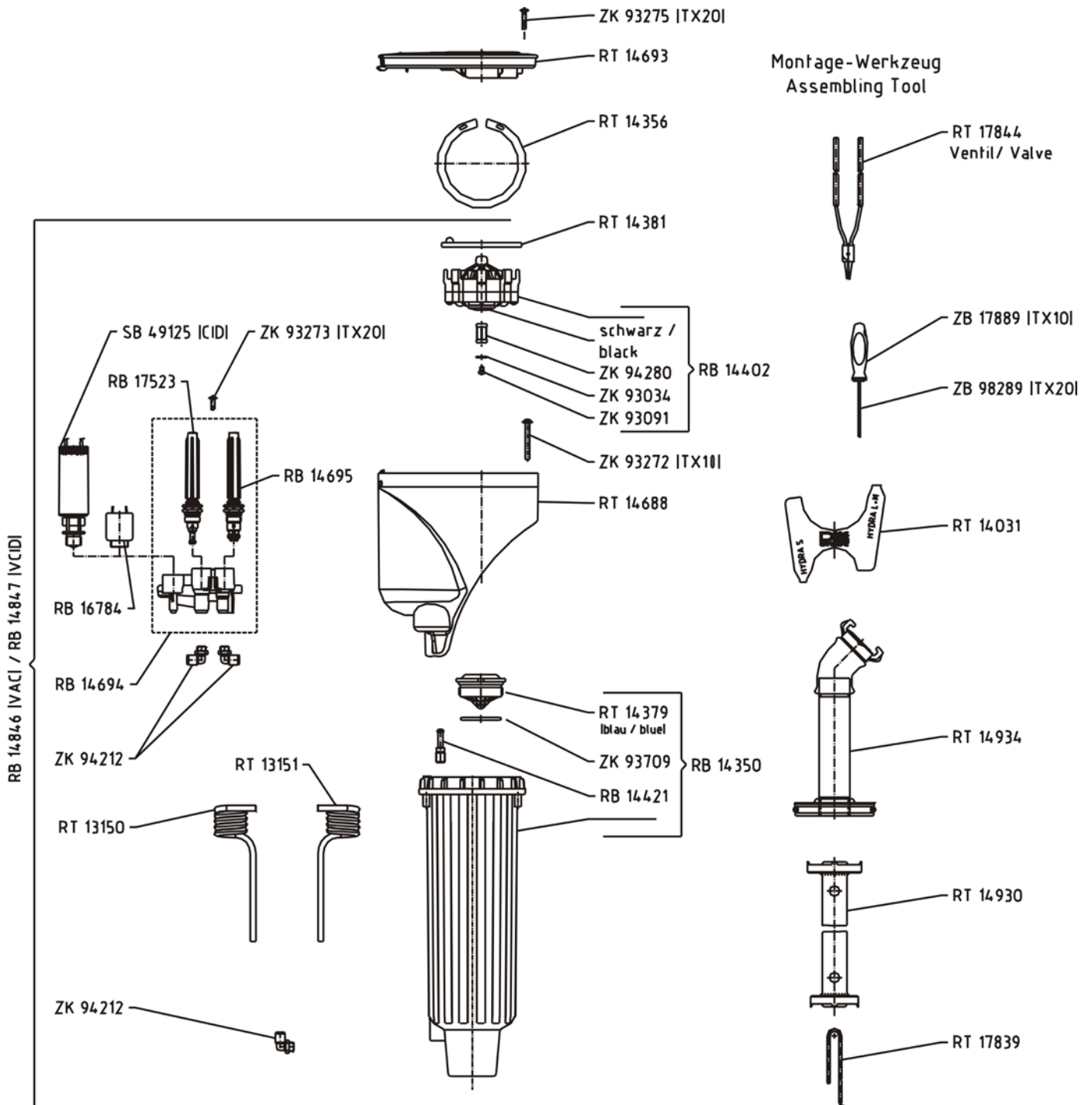
| Hydra-S VAC<br>Kreis-Einsatz /<br>Full Circle Insert | Hydra-S WVAC<br>Wende-Einsatz /<br>Part Circle Insert | Hydra-S WDVAC<br>Wende-Einsatz /<br>Part Circle Insert |
|--|---|--|
| RB 14605 9,0mm                                       | RB 14615 9,0mm  | RB 14635 9,0mm   |
| RB 14604 8,0mm                                       | RB 14614 8,0mm  | RB 14634 8,0mm   |
| RB 14603 7,0mm                                       | RB 14613 7,0mm  | RB 14633 7,0mm   |
| RB 14602 6,0mm                                       | RB 14612 6,0mm  | RB 14632 6,0mm   |
| RB 14601 5,0mm                                       | RB 14611 5,0mm  | RB 14631 5,0mm   |
| RB 14600 4,0mm                                       | RB 14610 4,0mm  | RB 14630 4,0mm   |

| Düse / Nozzle |          |
|---------------|----------|
| ∅9,0 mm       | RB 14666 |
| ∅8,0 mm       | RB 14665 |
| ∅7,0 mm       | RB 14664 |
| ∅6,0 mm       | RB 14663 |
| ∅5,0 mm       | RB 14662 |
| ∅4,0 mm       | RB 14661 |

# HYDRA-S VAC / WVAC / WDVAC Gehäuse, Unterbau / Case, Body



# HYDRA-2 S VAC / WVAC / WDVAC Gehäuse, Unterbau / Case, Body



## Preisliste / Price List

| Art.-Nr. /<br>Part number | Artikelbeschreibung              | Product description                |
|---------------------------|----------------------------------|------------------------------------|
| <b>RB14350</b>            | HYDRA-S F-GEHÄUSE M. SCHRAUBE    | HYDRA-S GUIDE HOUSING W. SCREW     |
| <b>RB14391</b>            | HYDRA-S H 1" FÜHRUNGSGEHÄUSE     | HYDRA-S H 1" GUIDE HOUSING         |
| <b>RB14399</b>            | HYDRA-S DRUCKREGELVENTIL         | HYDRA-S PRESSURE REGULATING VALVE  |
| <b>RB14400</b>            | HYDRA-S GRUNDEINSATZ KREIS       | HYDRA-S BASIC INSERT CIRCLE        |
| <b>RB14401</b>            | HYDRA-S GRUNDEINSATZ WENDE       | HYDRA-S INSERT SECTOR              |
| <b>RB14402</b>            | HYDRA-S VENTILEINSATZ            | HYDRA-S VALVE INSERT               |
| <b>RB14403</b>            | HYDRA-S H STOPPVENTIL            | HYDRA-S H STOP VALVE               |
| <b>RB14405</b>            | HYDRA-2 S STOPVENTIL             | HYDRA-2-S H STOP VALVE             |
| <b>RB14420</b>            | HYDRA-S VAC UNTERBAU             | HYDRA-S VAC VALVE HOUSING ASSY     |
| <b>RB14421</b>            | HYDRA-S ANSCHLUßSCHRAUBE KPL.    | HYDRA-S CONNECTING BOLT ASSY.      |
| <b>RB14580</b>            | HYDRA-S H 4,0 MM/EINSATZ         | HYDRA-S H 4,0 MM/INSERT            |
| <b>RB14581</b>            | HYDRA-S H 5,0 MM/EINSATZ         | HYDRA-S H 5,0 MM/INSERT            |
| <b>RB14582</b>            | HYDRA-S H 6,0 MM/EINSATZ         | HYDRA-S H 6,0 MM/INSERT            |
| <b>RB14583</b>            | HYDRA-S H 7,0 MM/EINSATZ         | HYDRA-S H 7,0 MM/INSERT            |
| <b>RB14584</b>            | HYDRA-S H 8,0 MM/EINSATZ         | HYDRA-S H 8,0 MM/INSERT            |
| <b>RB14585</b>            | HYDRA-S H 9,0 MM/EINSATZ         | HYDRA-S H 9,0 MM/INSERT            |
| <b>RB14590</b>            | HYDRA-S WH 4,0 MM/EINSATZ        | HYDRA-S WH 4,0 MM/INSERT           |
| <b>RB14591</b>            | HYDRA-S WH 5,0 MM/EINSATZ        | HYDRA-S WH 5,0 MM/INSERT           |
| <b>RB14592</b>            | HYDRA-S WH 6,0 MM/EINSATZ        | HYDRA-S WH 6,0 MM/INSERT           |
| <b>RB14593</b>            | HYDRA-S WH 7,0 MM/EINSATZ        | HYDRA-S WH 7,0 MM/INSERT           |
| <b>RB14594</b>            | HYDRA-S WH 8,0 MM/EINSATZ        | HYDRA-S WH 8,0 MM/INSERT           |
| <b>RB14595</b>            | HYDRA-S WH 9,0 MM/EINSATZ        | HYDRA-S WH 9,0 MM/INSERT           |
| <b>RB14600</b>            | HYDRA-S VAC 4,0 MM/EINSATZ       | HYDRA-S VAC 4,0 MM/INSERT          |
| <b>RB14601</b>            | HYDRA-S VAC 5,0 MM/EINSATZ       | HYDRA-S VAC 5,0 MM/INSERT          |
| <b>RB14602</b>            | HYDRA-S VAC 6,0 MM/EINSATZ       | HYDRA-S VAC 6,0 MM/INSERT          |
| <b>RB14603</b>            | HYDRA-S VAC 7,0 MM/EINSATZ       | HYDRA-S VAC 7,0 MM/INSERT          |
| <b>RB14604</b>            | HYDRA-S VAC 8,0 MM/EINSATZ       | HYDRA-S VAC 8,0 MM/INSERT          |
| <b>RB14605</b>            | HYDRA-S VAC 9,0 MM/EINSATZ       | HYDRA-S VAC 9,0 MM/INSERT          |
| <b>RB14610</b>            | HYDRA-S WVAC 4,0 MM/EINSATZ      | HYDRA-S WVAC 4,0 MM/INSERT         |
| <b>RB14611</b>            | HYDRA-S WVAC 5,0 MM/EINSATZ      | HYDRA-S WVAC 5,0 MM/INSERT         |
| <b>RB14612</b>            | HYDRA-S WVAC 6,0 MM/EINSATZ      | HYDRA-S WVAC 6,0 MM/INSERT         |
| <b>RB14613</b>            | HYDRA-S WVAC 7,0 MM/EINSATZ      | HYDRA-S WVAC 7,0 MM/INSERT         |
| <b>RB14614</b>            | HYDRA-S WVAC 8,0 MM/EINSATZ      | HYDRA-S WVAC 8,0 MM/INSERT         |
| <b>RB14615</b>            | HYDRA-S WVAC 9,0 MM/EINSATZ      | HYDRA-S WVAC 9,0 MM/INSERT         |
| <b>RB14620</b>            | HYDRA-S WDH 4,0 MM/EINSATZ       | HYDRA-S WDH 4,0 MM/INSERT          |
| <b>RB14621</b>            | HYDRA-S WDH 5,0 MM/EINSATZ       | HYDRA-S WDH 5,0 MM/INSERT          |
| <b>RB14622</b>            | HYDRA-S WDH 6,0 MM/EINSATZ       | HYDRA-S WDH 6,0 MM/INSERT          |
| <b>RB14623</b>            | HYDRA-S WDH 7,0 MM/EINSATZ       | HYDRA-S WDH 7,0 MM/INSERT          |
| <b>RB14624</b>            | HYDRA-S WDH 8,0 MM/EINSATZ       | HYDRA-S WDH 8,0 MM/INSERT          |
| <b>RB14625</b>            | HYDRA-S WDH 9,0 MM/EINSATZ       | HYDRA-S WDH 9,0 MM/INSERT          |
| <b>RB14630</b>            | HYDRA-S WDVAC 4,0 MM/EINSATZ     | HYDRA-S WDVAC 4,0 MM/INSERT        |
| <b>RB14631</b>            | HYDRA-S WDVAC 5,0 MM/EINSATZ     | HYDRA-S WDVAC 5,0 MM/INSERT        |
| <b>RB14632</b>            | HYDRA-S WDVAC 6,0 MM/EINSATZ     | HYDRA-S WDVAC 6,0 MM/INSERT        |
| <b>RB14633</b>            | HYDRA-S WDVAC 7,0 MM/EINSATZ     | HYDRA-S WDVAC 7,0 MM/INSERT        |
| <b>RB14634</b>            | HYDRA-S WDVAC 8,0 MM/EINSATZ     | HYDRA-S WDVAC 8,0 MM/INSERT        |
| <b>RB14635</b>            | HYDRA-S WDVAC 9,0 MM/EINSATZ     | HYDRA-S WDVAC 9,0 MM/INSERT        |
| <b>RB14661</b>            | HYDRA-S DÜSE 4,0 MM              | HYDRA-S NOZZLE 4,0 MM              |
| <b>RB14662</b>            | HYDRA-S DÜSE 5,0 MM              | HYDRA-S NOZZLE 5,0 MM              |
| <b>RB14663</b>            | HYDRA-S DÜSE 6,0 MM              | HYDRA-S NOZZLE 6,0 MM              |
| <b>RB14664</b>            | HYDRA-S DÜSE 7,0 MM              | HYDRA-S NOZZLE 7,0 MM              |
| <b>RB14665</b>            | HYDRA-S DÜSE 8,0 MM              | HYDRA-S NOZZLE 8,0 MM              |
| <b>RB14666</b>            | HYDRA-S DÜSE 9,0 MM              | HYDRA-S NOZZLE 9,0 MM              |
| <b>RB14694</b>            | HYDRA-2-M/S DRUCKREGELVENTIL CID | HYDRA-2-M/S VALVE PRESSURE REG CID |
| <b>RB14695</b>            | HYDRA-2-M/S DRUCKREGLER CID      | HYDRA-2-M/S PRESSURE REGULATOR CID |
| <b>RB14846</b>            | HYDRA 2-S VAC UNTERBAU           | HYDRA 2-S VAC SUB-UNIT             |
| <b>RB14847</b>            | HYDRA 2-S VAC UNTERBAU           | HYDRA 2-S VAC SUB-UNIT             |
| <b>RB16719</b>            | DRUCKREGLER KOMPL                | PRESSURE REGULATOR ASSY            |



## Preisliste / Price List

| Art.-Nr. /<br>Part number | Artikelbeschreibung                | Product description                   |
|---------------------------|------------------------------------|---------------------------------------|
| <b>RB16729</b>            | HANDSTEUERUNG MONT.                | MANUELL CONTROL ASM                   |
| <b>RB16784</b>            | MAGNETSPULE AC LVZE 22/TRITON-L    | SOLENOID AC ASM LVZE 22/TRITON-L      |
| <b>RB17523</b>            | VP3 HANDSTEUERUNG MONTIERT BLAU    | VP3 MANUAL CONTROL ASM BLUE           |
| <b>RT13150</b>            | CID PA FORMROHR SPIRALE LINKS      | CID PA PIPE SPIRAL LEFT               |
| <b>RT13151</b>            | CID PA FORMROHR SPIRALE RECHTS     | CID PA PIPE SPIRAL RIGHT              |
| <b>RT13987</b>            | SIEB ZUM AUFSTEIGER/HYDRA-2 M/S    | SCREEN FOR RISER HYDRA-2-M/S          |
| <b>RT14031</b>            | SICHERUNGSHALTER / REGNERKOPF      | SAFETY CLIP F. SPRINKLER HEAD         |
| <b>RT14317</b>            | EINLAUFDÜSE/HYDRA-S                | INFLOW NIYYLE HYDRA-S                 |
| <b>RT14333</b>            | HYDRA-S WD DÜSENSCHLÜSSEL          | HYDRA-S WD NOZZEL KEY                 |
| <b>RT14351</b>            | HYDRA-S HALTEPLATTE F. DRUCKREGELV | HYDRA-S RETAIN PLATE PRESS.REG.VALVE  |
| <b>RT14356</b>            | SICHER.RING AUFSTEIGER HYDRA-S     | SNAP RING FOR RISER                   |
| <b>RT14365</b>            | HYDRA-S W REGNERKOPF DECKEL        | HYDRA-S W COVER COVER SECTOR          |
| <b>RT14369</b>            | SIEB Z. AUFSTEIGER/HYDRA-S         | STRAINER SPRINKLER INSERT/HYDRA-S     |
| <b>RT14379</b>            | GROBFILTER BLAU / HYDRA-S          | COARSE FILTER BLUE HYDRA-S            |
| <b>RT14381</b>            | SICHERUNGSRING VENTIL HYDRA-S      | SNAP RING F. HYDRA-S                  |
| <b>RT14390</b>            | HYDRA-S H GEHÄUSEDECKEL            | HYDRA-S H HOUSING COVER               |
| <b>RT14393</b>            | HYDRA-S REGNERKOPF DECKEL KREIS    | HYDRA-S COVER CIRCLE                  |
| <b>RT14395</b>            | SCHUTZGEHÄUSE/HYDRA-S              | PROTECTION HOUSING HYDRA-S            |
| <b>RT14428</b>            | PA FORMROHR LANG F. HYDRA-S VAC    | PA PIPE LONG F. HYDRA-S VAC           |
| <b>RT14440</b>            | AUSGLEICHSDÜSE HYDRA-S 4,2 MM      | SECONDARY NOZZLE HYDRA-S 4,2 MM       |
| <b>RT14441</b>            | STOPFEN/AUSGLEICHSDÜSE HYDRA-S     | PLUG F. SECONDARY NOZZLE HYDRA-S      |
| <b>RT14449</b>            | EINLAUFDÜSE/HYDRA-XS 4,0 MM        | INFLOW NOZZLE HYDRA-XS 4,0 MM         |
| <b>RT14688</b>            | SCHUTZGEHÄUSE/HYDRA-M/S CID        | PROTECTIVE HOUSING/HYDRA-M/S CID      |
| <b>RT14693</b>            | HYDRA-S GEHÄUSEDECKEL CID          | HYDRA-S CID HOUSING COVER             |
| <b>RT14930</b>            | HYDRA-M/S SCHLÜSSEL/GROBFILTER     | HYDRA-M/S KEY F. COARSE FILTER        |
| <b>RT14934</b>            | HYDRA M/S SPÜLEINSATZ              | HYDRA-M/S FLUSH UNIT                  |
| <b>RT17839</b>            | AUSBAUHAKEN-SICHER. LVZR 22-3V     | HOOK F. REMOVING SNAP RING LVZR 22-3V |
| <b>RT17844</b>            | ZANGE-SICHERUNGSRING LVZR22-3V     | LVZR 22-2V SNAP RING PLIERS           |
| <b>SB49125</b>            | CID                                | CID                                   |
| <b>ZB17887</b>            | SCHRAUBENDREHER TORX 8IP           | SCREW DRIVER TORX 8IP                 |
| <b>ZB17889</b>            | SCHRAUBENDREHER TORX TX10          | SCREW DRIVER TORX10IP                 |
| <b>ZB98276</b>            | SICHERUNGSRINGZANGE                | SNAP RING PLIERS ATORN                |
| <b>ZB98289</b>            | SCHRAUBENDREHER TORX 20IP          | SCREW DRIVER TORX 20 IP               |
| <b>ZK24119</b>            | O-RING D=72,39x5,33                | O-RING DIA =72,39x5,33                |
| <b>ZK93034</b>            | MS-SCHEIBE A 4,3 MM                | BRASS DISK A 4,3 MM                   |
| <b>ZK93091</b>            | M 4x5 LINSENSCHRAUBE               | M 4x5 CROSSED FILLISTER HEAD SCREW    |
| <b>ZK93268</b>            | 25x10 EJOT DELTA PT-SCHRAUBE TORX  | 25x10 EJOT DELTA PT-SCREW TORX        |
| <b>ZK93272</b>            | 3,5x30 REKU LINSENKOPFSCHRAUBE TX  | 3,5x30 REKU FILLISTER HEAD SCREW TX   |
| <b>ZK93273</b>            | 4,0x12 REKU PAN HEAD TX            | 4,0x12 REKU PAN HEAD SCREW TX         |
| <b>ZK93275</b>            | 4,0x20 REKU LINSENKOPFSCHRAUBE TX  | 4,0x20 REKU FILLISTER HEAD SCREW TX   |
| <b>ZK93284</b>            | 2,5 DIN 433/ISO 7092 - V2A SCHEIBE | 2,5 DIN 433/ISO 7092 - V2A SHIM       |
| <b>ZK93709</b>            | O-RING D=44x3,0 MM                 | O-RING D=44x3,0 MM                    |
| <b>ZK93780</b>            | O-RING D=17x1,5 MM                 | O-RING D=17x1,5 MM                    |
| <b>ZK94212</b>            | WINKELSCHRAUBANSCHLUSS             | ANGLE SCREW CONNECTION                |
| <b>ZK94280</b>            | LVZR 22-2VE ROHR SIEB              | LVZR 22-2 VE PIPE SCREEN              |





## UNSER LIEFERPROGRAMM

### OUR SALES PROGRAM

|                          |  |
|--------------------------|--|
| <b>Regner</b>            | für die Landwirtschaft, Forstwirtschaft, Gartenbau, Baumschulen und Sportanlagen.  |
| <b>Versenkregner</b>     | für Sportplätze, Golfanlagen, Tennisplätze, Reitanlagen und Pferderennbahnen, öffentliches Grün und Hausgärten   |
| <b>Kardan-Kupplungen</b> | für Rohre und Formteile aus Stahl verzinkt und Edelstahl (Material 1.4404)   |
| <b>Umweltschutz</b>      | Berechnungssysteme für die Staubbindung auf Schüttguthalden, Umschlagplätzen, Recyclingplätzen und Verkehrsflächen. Bedüsungsanlagen für die Staubbindung auf Förderbänder und Reclaimer und Schiffsentlader<br>Entsorgung von Enteiserabwässer mittels Verregnung |

|                                 |   |
|---------------------------------|---|
| <b>Sprinklers</b>               | for agriculture, horticulture, forestry, tree nurseries and sports fields   |
| <b>Pop-up sprinklers</b>        | for sports fields, golf courses, tennis courts, horse race tracks, riding facilities, public greens and private gardens   |
| <b>Cardan Couplings</b>         | for pipes and fittings made of galvanized steel and stainless steel (material 1.4404)   |
| <b>Environmental protection</b> | Irrigation systems for dust suppression on stock piles, recycling yards, bulk handling and traffic circulation areas.<br>Spraying systems for dust suppression on conveyor belt-sand, Stacker and reclaimer<br>Disposal of de-icing effluents by irrigation |