

THE PROFESSIONALS OF IRRIGATION

Irrigation systems
for all terrains.
Quality and efficiency
'Made in Germany'.

PERROT stands for professional irrigation, with state-of-the-art technology for agriculture. Since 1925!

The responsible use of water resources is the driving force behind innovations at PERROT. Our unique products are not only environmentally-friendly but also durable and cost-effective.



Maximum growth with minimum water consumption.

Climate conditions are putting farmers under pressure, making irrigation systems ever more indispensable. So choosing the right irrigation system plays a crucial role to remain cost-effective. Soiled sprinklers which clog and fail to deliver are probably the last straw in these demanding times.

This is why PERROT inspires farmers with their 'Made in Germany' quality. Robust, durable and flexible: our customers have been noticing these qualities since we started our adventure in irrigation, in 1925. With future-focused cutting-edge technology, PERROT is the ideal partner for anyone seeking a long-term solution to their irrigation challenges.

Thanks to our skills and experience, gained from almost 100 years in the design and development of irrigation systems, PERROT is your guarantee for optimum working conditions.



CONTENTS

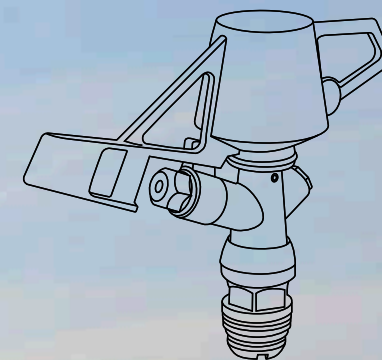
	01	Applications	<u>Vegetables</u>	PAGES 4 / 5			
	02	Applications	<u>Orchards</u>	PAGES 6 / 7			
	03	Applications	<u>Frost Protection</u>	PAGES 8 / 9			
	04	Applications	<u>Grassland and Pastures</u>	PAGES 10 / 11			
	05	Applications	<u>Forestry</u>	PAGE 12			
06	Irrigation systems	<u>Cardan</u>	PAGE 13	07	Slurry technology	<u>Cardan Couplings</u>	PAGE 14
08	Cardan Connections	<u>KVS-KMS</u>	PAGE 15	09	Product overview	<u>Sprinklers</u>	PAGES 16–18
10	Product overview	<u>Pipes</u>	PAGE 19	11	Product overview	<u>Cardan Connections</u>	PAGES 20–25
	12	PERROT in Practice	<u>What Customers Say</u>	PAGES 26 / 27			

01 Applications

VEGETABLES

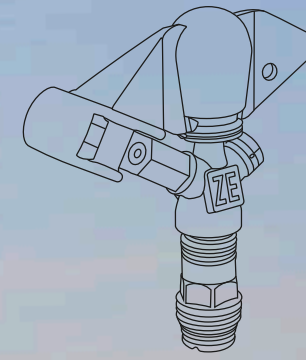
The greater the area,
the greater the benefit

Robust and durable solutions with a complete PERROT irrigation system, from sprinklers to fully galvanized piping.



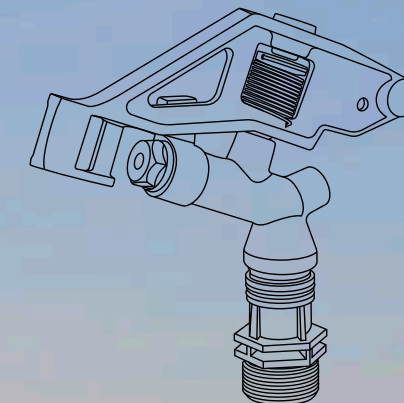
Impact sprinkler
ZB 22

Casting range:
14.5–17.8 m



Impact sprinkler
ZE 30

Casting range:
14.0–21.8 m



Impact sprinkler
ZM 22

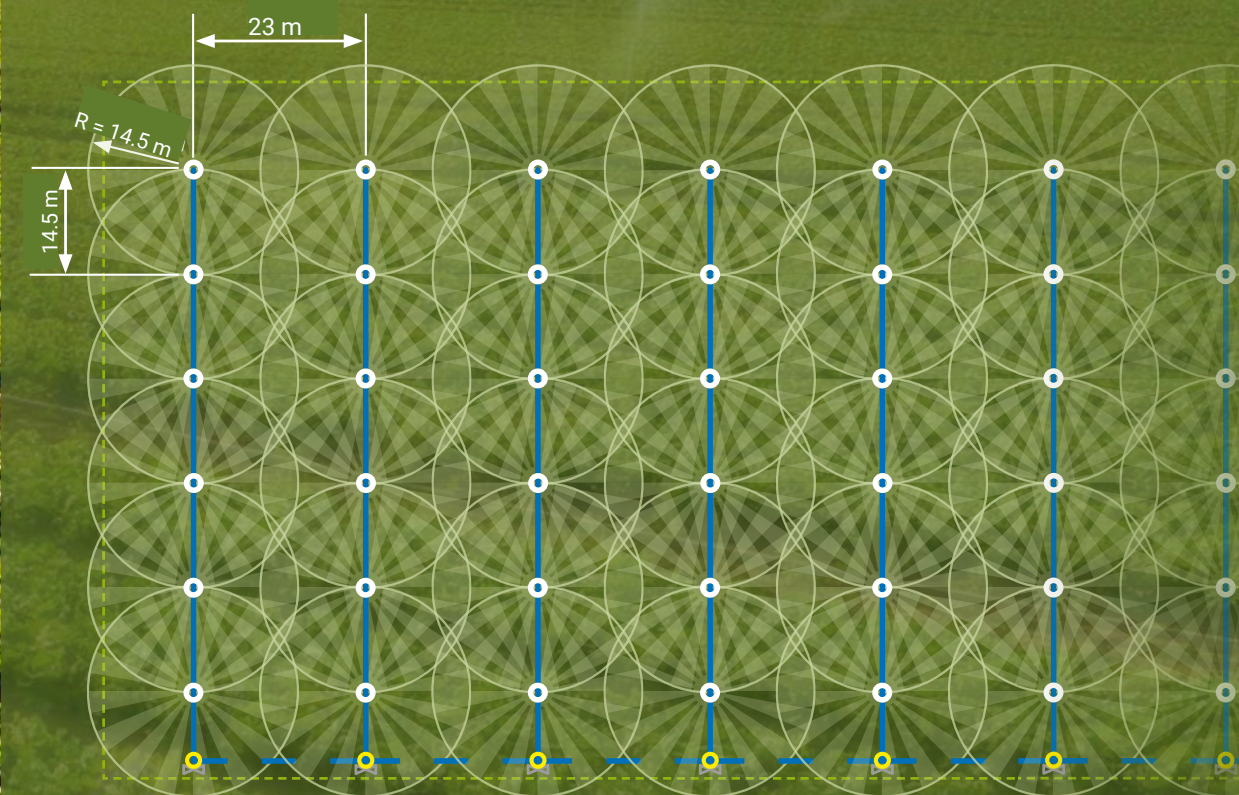
Casting range:
23.3–34.5 m



In agriculture, the wind and weather take their toll on both people and materials. This is why PERROT irrigation systems are designed for robustness, durability and reliability.

Thanks to our range of connection sizes, from 1/2 to 1 1/2 inches and various casting ranges, the PERROT irrigation system has built-in flexibility, enabling our systems to adapt to a huge variety of different circumstances.

Example layout design showing ZE 30 full-circle sprinklers for a vegetable field (section)

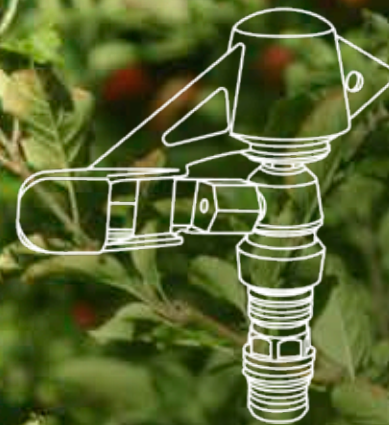


02 Applications

ORCHARDS

Get your vitamins,
grown to perfection

Flexible irrigation solutions for any terrain.



Impact sprinkler
ZA 7

Casting range:
7.7–11.1 m



Impact sprinkler
ZA 22

Casting range:
10.5–14.0 m



Impact sprinkler
ZB 22

Casting range:
14.5–17.8 m



PERROT provides ideal support for the efficient management of large-scale orchards. The ZA and ZB series provide perfect irrigation for the

cultivated area, increasing yields, thanks to a robust, durable and sophisticated design in brass or high-quality synthetic materials.

Example layout design showing ZB 22 full-circle sprinklers for orchards (section)



03 Applications FROST PROTECTION

A sprinkler that neither freezes nor rusts

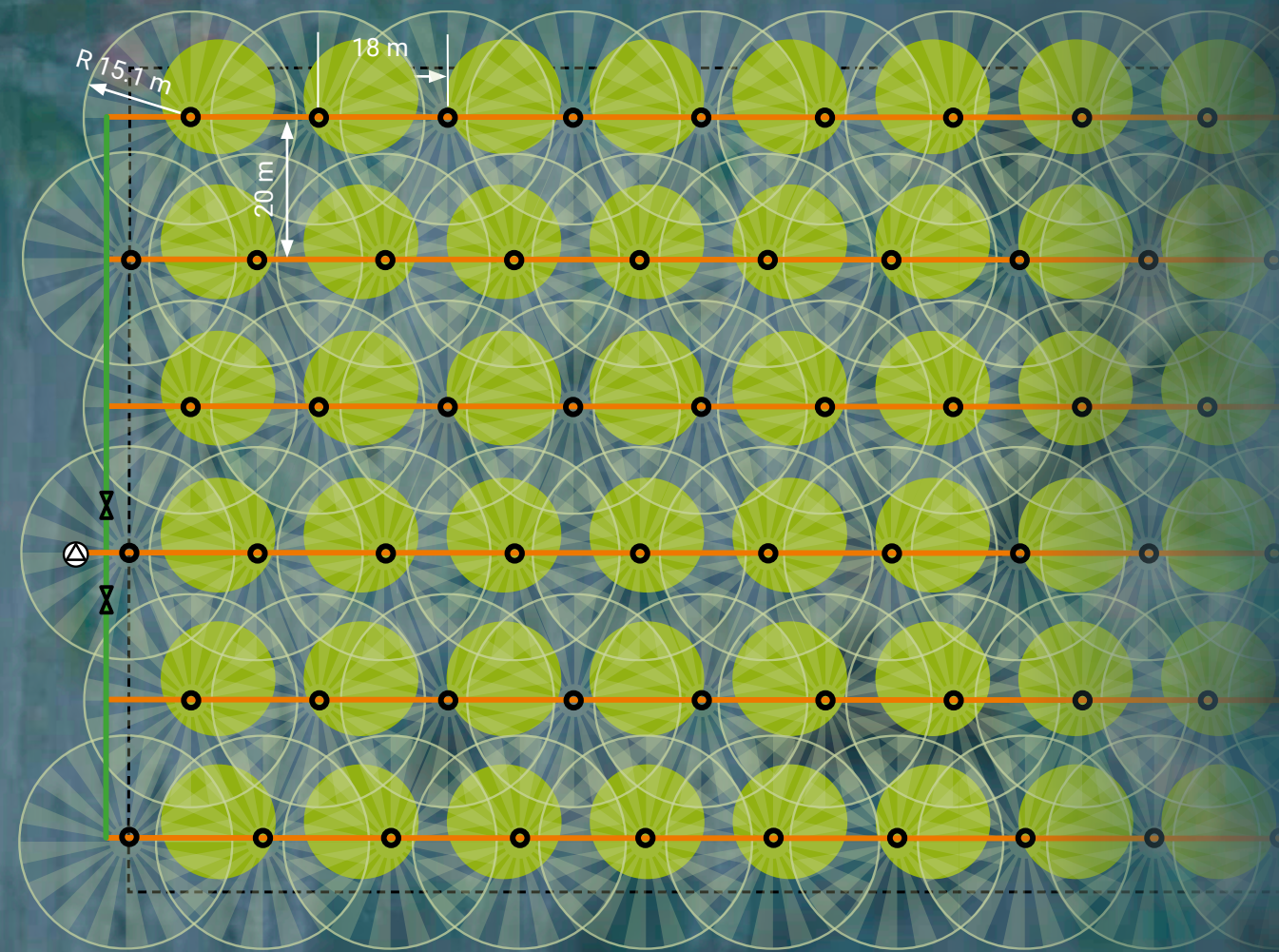
For maximum reliability in the most sensitive growth phase.



Impact sprinkler
ZS 30

Casting range:
13.0–16.3 m

Example layout design showing ZS 30 full-circle 'FROST PROTECTION' sprinklers (section)



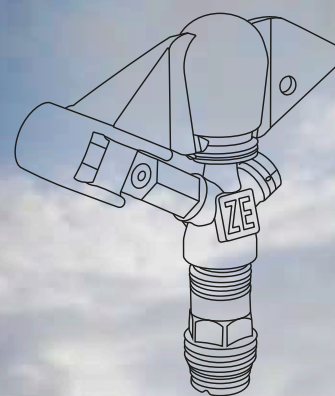
Nowhere is a reliable irrigation system more in demand than in frost protection. Thanks to specially adapted impact technology, PERROT ZS sprinklers can be relied upon and function perfectly at temperatures

even as low as -10 degrees, without freezing. This ensures an even and low-consumption allocation of water even over long periods of hours.

04 Applications GRASSLAND AND PASTURES

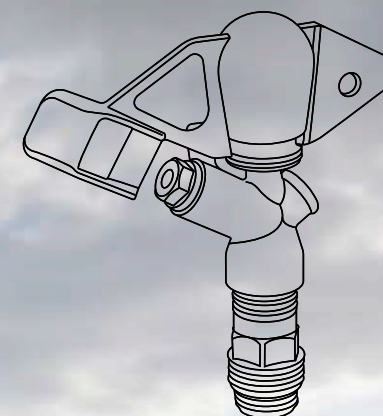
Where economy meets ecology

Greater continuity and steadier irrigation on any terrain.



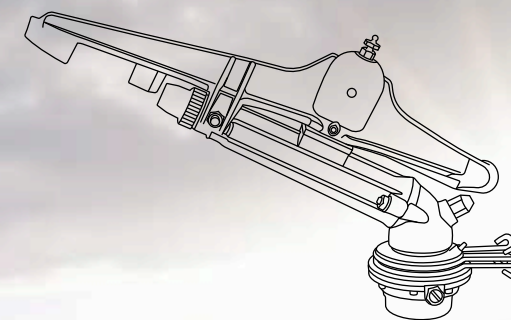
Impact sprinkler
ZE 30

Casting range:
14.0–21.8 m



Impact sprinkler
ZK 30

Casting range:
19.8–27.5 m



Impact sprinkler
ZN 23

Casting range:
30.5–50.5 m



Even today, most grassland and pastures receive the majority of their moisture and nutrients from simple irrigation ditches. As precipitation patterns become increasingly unstable with uneven distribution across



the terrain, irrigation systems are subject to ever greater challenges. A PERROT irrigation system frees you from external factors and increases your yield, with an eye on sustainability.

05 Applications FORESTRY

Reliability even in the tightest angles

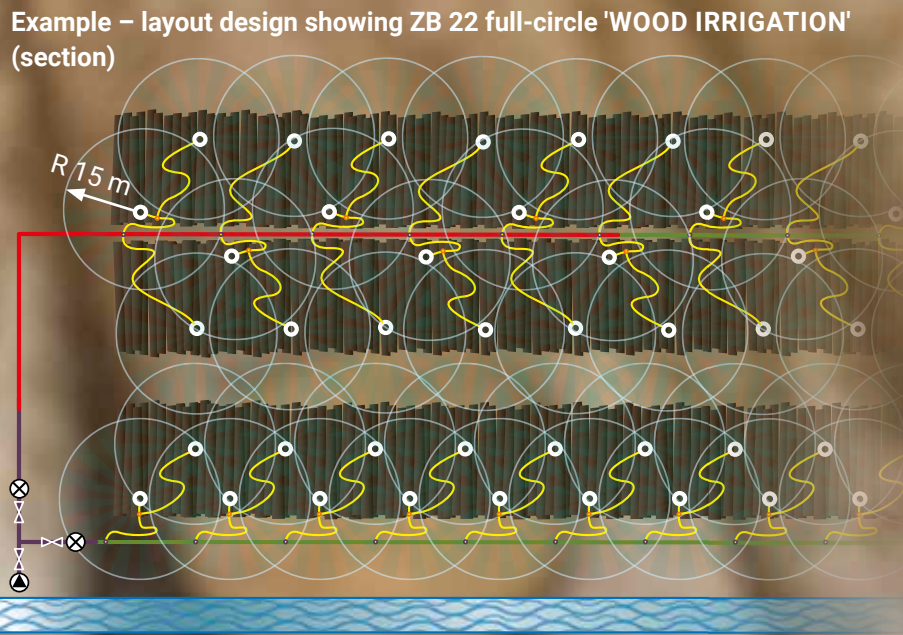
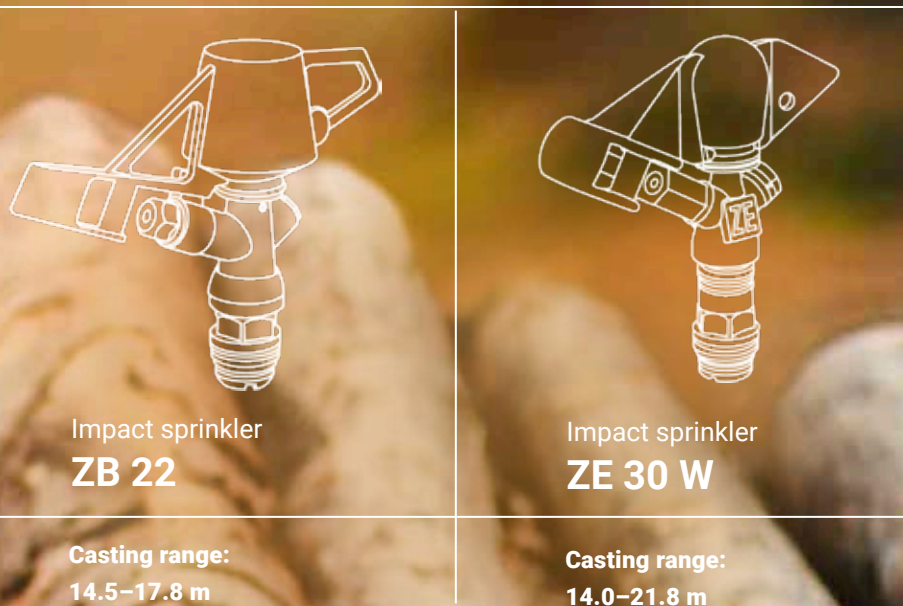
Robust dedicated irrigation systems for resource-protecting water management



Irrigation systems from PERROT are reliable all-rounders. Our flexible piping systems and our assortment of sprinklers with a wide variety of casting ranges enable water to reach the areas most in need.

The increasingly valuable water resources are therefore sustainably taken into account and wastage is avoided.

Our particularly robust manufacturing process guarantees not only long-lasting reliability but also handles service and dirty water from surrounding bodies of water – without clogging.



06 Applications CARDAN

Agricultural irrigation – as far as the eye can see

An irrigation system that seems to know no bounds – flexible and reliable in all applications.



The PERROT irrigation system has a decade-long record of providing not only sprinklers which have set the modern quality standard for agriculture, but also a completely flexible system of fully galvanized piping and the original PERROT Cardan couplings for secure connections.

07 Slurry technology CARDAN COUPLINGS

The slurry team: flanges and couplings

08 Connection systems for hoses CARDAN CONNECTIONS KVS/KMS

And as always – no leakage!



KVF SLURRY

COUPLING WITH SLURRY FLANGE – SHORT AND LONG

Materials: Galvanized steel for attachment to slurry containers.
Max. operating pressure of the coupling: 10 bar

DETAILS ON THE ARTICLE GROUP:

Dimensions from 108 x 100 mm to 216 x 200 mm (short/long)

Weight: 3.87 and 7.70 kg



KVF SLURRY

COUPLING WITH SLURRY FLANGE – SHORT AND LONG

Materials: Galvanized steel for attachment to slurry containers.
Max. operating pressure of the coupling: 10 bar

DETAILS ON THE ARTICLE GROUP:

Dimensions from 108 x 100 mm to 216 x 200 mm (short/long)

Weight: 5.87 and 15.53 kg



KMS

AREAS OF APPLICATION:

Agriculture, gardening, tunnel and road construction, building work, sewage treatment plants, feces transportation and environmental protection

SPECIFICATIONS:

Coupling dimensions: 50–216 mm

Operating pressure: 50–159 mm max. 10 bar

216 mm max. 8 bar

Transportation media: water, waste water, slurry



KVS

AREAS OF APPLICATION:

Agriculture, gardening, tunnel and road construction, building work, sewage treatment plants, feces transportation and environmental protection

SPECIFICATIONS:

Coupling dimension: 50–216 mm

Operating pressure: 50–159 mm max. 10 bar

216 mm max. 8 bar

Transportation media: water, waste water, slurry



Illustrations not to scale with each other

09 Product overview SPRINKLERS

All set to 'charge the hose lines'



ZX 30

Areas of application: Orchards, horticulture, agriculture, parks and private gardens

- Materials: Brass, stainless steel, high-quality synthetic materials
- Nozzle with spray deflector to vary the spray and casting range
 - Spatter-free rocker arm
 - Finest droplet dispersal
 - Part-circle sprinkler with switchable toggle spring for optional use as a full-circle or part-circle sprinkler
 - Spring protection cap

SPECIFICATIONS:

Casting range: 7.7–11.1 m
Water consumption: 0.39–0.92 m³/h
Operating pressure: 2.0–4.5 bar
 Nozzle sizes: 2.8–3.5 mm
 Trajectory: 30°
 Connection: O.D. 1/2"



ZA 7

Areas of application: Under-tree irrigation, horticulture, agriculture

- Materials: Brass, stainless steel, high-quality synthetic materials
- Spray deflectors to vary the spray and casting range
 - Part-circle sprinkler with switchable toggle spring for optional use as a full-circle or part-circle sprinkler
 - Even and precise water distribution on unprotected sites through flat spray trajectory
 - Spring protection cap

SPECIFICATIONS:

Casting range: 8.0–11.2 m
Water consumption: 0.69–1.96 m³/h
Operating pressure: 2.5–4.5 bar
 Nozzle sizes: 3.5–4.5 mm
 Second nozzle: 2.4 mm
 Trajectory: 7°
 Connection: O.D. 1/2"



ZA 22

Areas of application: Agriculture, orchards, horticulture

- Materials: Brass, stainless steel, high-quality synthetic materials
- Low-spatter rocker arm
 - Spray deflector to vary the spray and casting range
 - Sprinkler with available tripod
 - Part-circle sprinkler with switchable toggle spring for optional use as a full-circle or part-circle sprinkler
 - Spring protection cap

SPECIFICATIONS:

Casting range: 10.5–14.0 m
Water consumption: 0.69–1.89 m³/h
Operating pressure: 2.5–4.5 bar
 Nozzle sizes: 3.5–4.5 mm
 Second nozzle: 2.2 mm
 Trajectory: 22°
 Connection: O.D. 1/2"



ZS 30

Areas of application: Orchards, horticulture, agriculture, frost protection

- Materials: Brass, stainless steel, high-quality synthetic materials
- Spring protection cap
 - Use up to -10°C

SPECIFICATIONS:

Casting range: 13.0–16.3 m
Water consumption: 0.69–2.04 m³/h
Operating pressure: 2.5–4.5 bar
 Nozzle sizes: 3.5–5.2 mm
 Trajectory: 30°
 Connection: O.D. 3/4"



ZB 22

Areas of application: Orchards, horticulture, agriculture

- Materials: Brass, stainless steel, high-quality synthetic materials
- Part-circle sprinkler with switchable toggle spring for optional use as a full-circle or part-circle sprinkler
 - Sand protection ring and spring protection cap
 - Part-circle sprinkler with spray deflector screw to vary the casting range and spray

SPECIFICATIONS:

Casting range: 14.5–17.8 m
Water consumption: 0.99–3.82 m³/h
Operating pressure: 2.5–4.5 bar
 Nozzle sizes: 4.2–7.0 mm
 Second nozzle: 2.4 mm
 Trajectory: 22°
 Connection: O.D. 3/4"



ZE 30

Areas of application: Orchards, horticulture, agriculture

- Materials: Brass, stainless steel, high-quality synthetic materials, cast aluminum, galvanized steel
- Spray deflector to vary the spray and casting range
 - Part-circle sprinkler with detachable toggle spring for optional use as a full-circle or part-circle sprinkler
 - Spring protection cap
 - Sprinkler with available tripod

SPECIFICATIONS:

Casting range: 14.0–21.8 m
Water consumption: 1.25–4.61 m³/h
Operating pressure: 3.0–7.0 bar
 Nozzle sizes: 4.5–7.0 mm
 Trajectory: 30°
 Connection: O.D. 1"

09 Product overview

SPRINKLERS



10 Product overview

PIPES

The pipeline for precious water



ZK 30

Areas of application: Orchards, horticulture, agriculture, frost protection

- Materials: Brass, stainless steel, high-quality synthetic materials
- Part-circle sprinkler with detachable toggle spring for optional use as a full-circle or part-circle sprinkler
 - Spring protection cap

SPECIFICATIONS:

Casting range: 19.8–27.5 m
Water consumption: 3.94–11.39 m³/h
Operating pressure: 3.0–7.0 bar
 Nozzle sizes: 8.0–11.0 mm
 Trajectory: 30°
 Connection: O.D. 1"

ZM 22

Areas of application: Orchards, horticulture, agriculture, tree crown top spraying

- Materials: Brass, stainless steel, high-quality synthetic materials, cast aluminum
- Part-circle sprinkler with detachable toggle spring for optional use as a full-circle or part-circle sprinkler
 - Spring protection cap
 - Extremely low-weight large-area sprinkler (970 g)

SPECIFICATIONS:

Casting range: 23.2–34.5 m
Water consumption: 6.16–24.10 m³/h
Operating pressure: 3.0–7.0 bar
 Nozzle sizes: 10.0–16.0 mm
 Trajectory: 22°
 Connection: O.D. 1 1/2"

ZN 23

Areas of application: Agriculture, forestry

- Materials: Brass, stainless steel, high-quality synthetic materials, cast aluminum
- Impact sprinkler with slow forward and backward travel
 - Switchable toggle spring for optional use as a full-circle or part-circle sprinkler
 - Spring protection cap
 - Unaffected by strong wind
 - Available types:
 Twin-nozzle full-circle sprinkler (D)
 Single-nozzle part-circle sprinkler (W)

SPECIFICATIONS:

Casting range: 30.5–50.5 m
Water consumption: 12.08–60.22 m³/h
Operating pressure: 3.0–7.0 bar
 Nozzle sizes: 14.0–24.0 mm
 Number of nozzles: 2
 Trajectory: 23°
 Connection: I.D. 2 1/2"



QUICK COUPLING PIPES AND COUPLINGS

Areas of application: Agriculture, gardening, industry, tunnel and road construction, sewage treatment plants, feces transportation

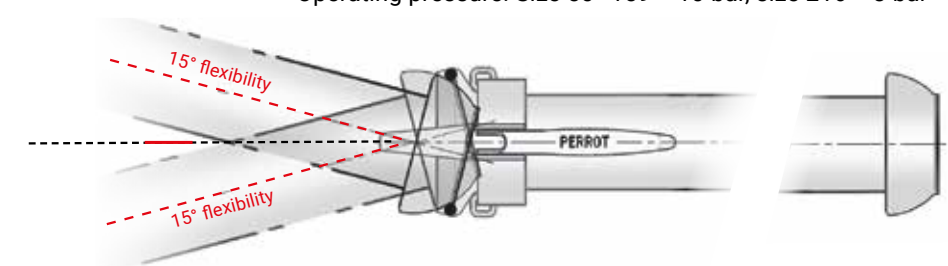
KSKR steel piping

Quick-coupling pipes in standard lengths of 6 m, galvanized, completely with KKMM, KKV and KKG sealing ring, short lengths in 1, 2, 3, 4 and 5 m.

Also available as manifolds with hose barb or threaded male connectors.
 Operating pressure: Size 50–159 = 10 bar, size 216 = 8 bar

KSKR quick-couplings

Easy coupling with just one hand
 Can be angled on both sides by 15°
 Pressure-resistant, suction-tight, even when couplings are soiled



SPECIFICATIONS / ARTICLE NAME:

Pipe diameter:	216 mm	159 mm	133 mm	108 mm	89 mm	70 mm	50 mm
Pipe length: 6 m	KSKR 216 / 6 M	KSKR 159 / 6 M	KSKR 133 / 6 M	KSKR 108 / 6 M	KSKR 89 / 6 M	KSKR 70 / 6 M	KSKR 50 / 6 M
Pipe length: 5 m	KSKR 216 / 5 M	KSKR 159 / 5 M	KSKR 133 / 5 M	KSKR 108 / 5 M	KSKR 89 / 5 M	KSKR 70 / 5 M	KSKR 50 / 5 M
Pipe length: 4 m	KSKR 216 / 4 M	KSKR 159 / 4 M	KSKR 133 / 4 M	KSKR 108 / 4 M	KSKR 89 / 4 M	KSKR 70 / 4 M	KSKR 50 / 4 M
Pipe length: 3 m	KSKR 216 / 3 M	KSKR 159 / 3 M	KSKR 133 / 3 M	KSKR 108 / 3 M	KSKR 89 / 3 M	KSKR 70 / 3 M	KSKR 50 / 3 M
Pipe length: 2 m	KSKR 216 / 2 M	KSKR 159 / 2 M	KSKR 133 / 2 M	KSKR 108 / 2 M	KSKR 89 / 2 M	KSKR 70 / 2 M	KSKR 50 / 2 M
Pipe length: 1 m	KSKR 216 / 1 M	KSKR 159 / 1 M	KSKR 133 / 1 M	KSKR 108 / 1 M	KSKR 89 / 1 M	KSKR 70 / 1 M	KSKR 50 / 1 M

11 Product overview

CARDAN CONNECTIONS

You'll always be connected



KMS-K

COUPLING WITH ROTATED HOSE NOZZLE

Materials: Galvanized steel, stainless steel
 Use: Attachment of thin-wall hoses
 Operating pressure: size 50–159 mm max. 10 bar, size 216 mm max. 8 bar

DETAILS ON THE ARTICLE GROUP:
Dimensions from 50 x 70 mm to 216 x 200 mm; weight 1.02 to 22.30 kg



KMS-SI

COUPLING WITH RIBBED HOSE NOZZLE

Materials: Galvanized steel, stainless steel
 Use: Attachment of thick-wall hoses.
 Operating pressure: size 50–159 mm max. 10 bar, size 216 mm max. 8 bar

DETAILS ON THE ARTICLE GROUP:
Dimensions from 50 x 52 mm to 216 x 202 mm; weight 0.80 to 17.51 kg



KMR

COUPLING WITH PIPE SOCKET FOR WELDING ON

Materials: Galvanized steel, stainless steel
 Use: Fabrication of custom components
 Operating pressure: size 50–159 mm max. 10 bar, size 216 mm max. 8 bar

DETAILS ON THE ARTICLE GROUP:
Diameters from 50 to 216 mm; weight 1.01 to 18.00 kg



KMF SLURRY

COUPLING WITH SLURRY FLANGE – SHORT AND LONG

Materials: Galvanized steel, stainless steel
 Use: Attachment to slurry containers.
 Operating pressure: size 50–159 mm max. 10 bar, size 216 mm max. 8 bar

DETAILS ON THE ARTICLE GROUP:
2 x 4 dimensions from 108 x 100 mm to 216 x 200 mm (short/long); weight: 5.87 to 15.53 kg



KMG

COUPLING WITH EXTERNAL AND INTERNAL THREADED* CONNECTOR

Materials: Galvanized steel, stainless steel *Internal thread on request
 Use: Threaded connection to other components
 Operating pressure: size 50–159 mm max. 10 bar, size 216 mm max. 8 bar

DETAILS ON THE ARTICLE GROUP:
10 dimensions/threads from 50 mm x 1 1/2" to 216 mm x 8"; weight: 1.15 to 20.12 kg



KMF

COUPLING WITH DIN 2576 FLANGE

Materials: Galvanized steel, stainless steel
 Use: Attachment to slurry containers.
 Operating pressure: size 50–159 mm max. 10 bar, size 216 mm max. 8 bar

DETAILS ON THE ARTICLE GROUP:
7 dimensions from 50 x 50 mm to 216 x 200 mm; weight: 3.26 to 26.10 kg



KVS-K

COUPLING WITH ROTATED HOSE NOZZLE

Materials: Galvanized steel, stainless steel
 Use: Attachment of thin-wall hoses
 Operating pressure: size 50–159 mm max. 10 bar, size 216 mm max. 8 bar

DETAILS ON THE ARTICLE GROUP:
Dimensions from 50 x 70 mm to 216 x 200 mm; weight 0.48 to 11.45 kg



KVS-SI

COUPLING WITH RIBBED HOSE NOZZLE

Materials: Galvanized steel, stainless steel
 Use: Attachment of thick-wall hoses.
 Operating pressure: size 50–159 mm max. 10 bar, size 216 mm max. 8 bar

DETAILS ON THE ARTICLE GROUP:
Dimensions from 50 x 52 mm to 216 x 202 mm; weight 0.23 to 8.20 kg



KVR

COUPLING WITH PIPE SOCKET FOR WELDING ON

Materials: Galvanized steel, stainless steel
 Use: Fabrication of custom components
 Operating pressure: size 50–159 mm max. 10 bar, size 216 mm max. 8 bar

DETAILS ON THE ARTICLE GROUP:
Diameters from 50 to 216 mm; weight 0.33 to 6.40 kg



KVF SLURRY

COUPLING WITH SLURRY FLANGE – SHORT AND LONG

Materials: Galvanized steel, stainless steel
 Use: Attachment to slurry containers.
 Operating pressure: size 50–159 mm max. 10 bar, size 216 mm max. 8 bar

DETAILS ON THE ARTICLE GROUP:
Dimensions from 108 x 100 mm to 216 x 200 mm (short/long); weight: 3.87 to 7.70 kg



KVG

COUPLING WITH EXTERNAL AND INTERNAL THREADED* CONNECTOR

Materials: Galvanized steel, stainless steel *Internal thread on request
 Use: connection with counterparts by means of a threaded connector
 Operating pressure: size 50–159 mm max. 10 bar, size 216 mm max. 8 bar

DETAILS ON THE ARTICLE GROUP:
Dimensions/threads from 50 mm x 1 1/2" to 216 mm x 8"; weight: 0.39 to 9.30 kg



KVF

COUPLING WITH DIN 2576 FLANGE

Materials: Galvanized steel, stainless steel
 Use: Attachment to slurry containers.
 Operating pressure: size 50–159 mm max. 10 bar, size 216 mm max. 8 bar

DETAILS ON THE ARTICLE GROUP:
Dimensions from 50 x 50 mm to 216 x 200 mm; weight: 3.08 and 15.07 kg

Illustrations not to scale with each other

11

Product overview

CARDAN CONNECTIONS

Our products may bend, but do not break



KGMKV

EXTENSION PIECE, LARGE FEMALE CONNECTOR / SMALL MALE CONNECTOR

Materials: Galvanized steel, stainless steel
 Use: providing bridging between differences in pipe diameters
 IMPORTANT: be aware of coupling size changes
 Operating pressure: size 50–159 mm max. 10 bar, size 216 mm max. 8 bar

DETAILS ON THE ARTICLE GROUP:
Dimensions/lengths from 50 x 70 mm to 159 x 216 mm; weight 1.96 to 20.17 kg

KKMGV

REDUCING PIECE, SMALL FEMALE CONNECTOR / LARGE MALE CONNECTOR

Materials: Galvanized steel, stainless steel
 Use: providing bridging between differences in pipe diameters
 IMPORTANT: be aware of coupling size changes
 Operating pressure: size 50–159 mm max. 10 bar, size 216 mm max. 8 bar

DETAILS ON THE ARTICLE GROUP:
Dimensions/lengths from 50 x 70 mm to 159 x 216 mm; weight 1.96 to 20.17 kg

KRKB

CARDAN PIPE BENDS OF 90°, 60°, 45° AND 30°

Materials: Galvanized steel, stainless steel
 Use: compact pipe direction change despite 15° angling options for each coupling
 Operating pressure: size 50–159 mm max. 10 bar, size 216 mm max. 8 bar

DETAILS ON THE ARTICLE GROUP:
4 angle options with diameters from 50 to 216 mm; weight 1.61 to 36.17 kg



KDMT

REVERSING COUPLER, FEMALE/FEMALE, GALVANIZED

Materials: Galvanized steel, stainless steel
 Use: connection of identical coupling types.
 Operating pressure: size 50–159 mm max. 10 bar, size 216 mm max. 8 bar

DETAILS ON THE ARTICLE GROUP:
Diameters from 50 to 216 mm; weight 1.84 to 32.20 kg

KDVT

REVERSING COUPLER, MALE/MALE, GALVANIZED

Materials: Galvanized steel, stainless steel
 Use: connection of identical coupling types.
 Operating pressure: size 50–159 mm max. 10 bar, size 216 mm max. 8 bar

DETAILS ON THE ARTICLE GROUP:
Diameters from 50 to 216 mm; weight 0.52 to 13.00 kg

SLK

CLAMP SADDLE

Materials: Galvanized steel
 Use: individual positioning of drill holes in pipes for attachment of accessories (sprinklers)

DETAILS ON THE ARTICLE GROUP:
Diameters 50 to 89 mm with double connection thread (1/2" internal size / 1" external size). Weight: 0.28 to 0.50 kg



KRS

SUPPORT WITH AND WITHOUT CONNECTION THREAD

Materials: Galvanized steel (1/2" female and 1" male)
 Use: optimum irrigation of major plant populations and avoidance of soiling where couplings are in contact with the ground

DETAILS ON THE ARTICLE GROUP:
Diameters 50, 70 and 89 mm in designs with/without double connection threads (1/2" female / 1" male); weight 1.04 to 1.65 kg



KKG

SEALING RING FOR M PART

Materials: SBR, NBR 'medium', NBR 'high' and EPDM
 Use: The material selected depends on the intended use: e.g. cold water, lubricating oil, fuel, diesel, heating oil, hot water

DETAILS ON THE ARTICLE GROUP:
For pipe diameters 50 mm to 216 mm with sealing ring external diameters from 86 x 11 mm to 304 x 24.6 mm, suitable for various fluids and temperature ranges

Illustrations not to scale with each other

11 Product overview

CARDAN CONNECTIONS

Every requirement gets the right solution



KMX

END CAP

Materials: Galvanized steel, stainless steel
 Use: Closing off pipe ends.
 Operating pressure: size 50–159 mm max. 10 bar, size 216 mm max. 8 bar

DETAILS ON THE ARTICLE GROUP:
Diameters from 50 to 216 mm; weight: 0.73 to 15.91 kg

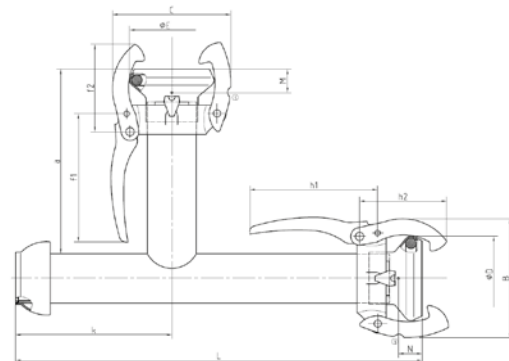


KVVX

END PLUG

Materials: Galvanized steel, stainless steel
 Use: Closing off pipe ends.
 Operating pressure: size 50–159 mm max. 10 bar, size 216 mm max. 8 bar

DETAILS ON THE ARTICLE GROUP:
Diameters from 50 to 216 mm; weight: 0.14 to 6.15 kg



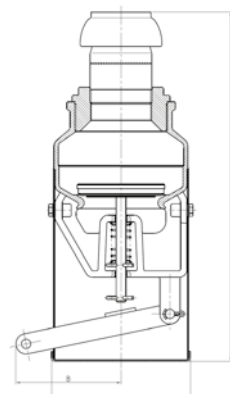
KT

T PIECE BRANCH 90°, 45° AND 30° – ALSO AVAILABLE IN OTHER ANGLES*

Materials: Galvanized steel, stainless steel
 Use: e.g. right-angled fluid feed or discharge
 Operating pressure: size 50–159 mm max. 10 bar, size 216 mm max. 8 bar

*Individual angle settings on request

DETAILS ON THE ARTICLE GROUP:
Diameters/lengths from 50 x 50 mm to 216 x 216 mm; weight: 2.70 to 41.51 kg

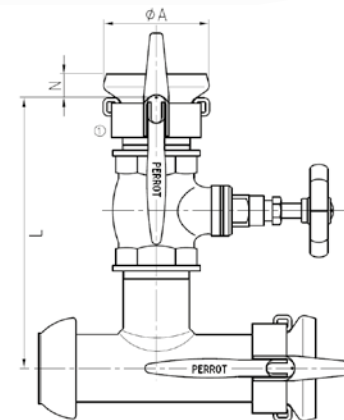


KSK

CARDAN STRAINER

Materials: Galvanized steel
 Use: removal by suction of various fluids. Installed, manual shut-off flap
 Operating pressure: size 50–159 mm max. 10 bar

DETAILS ON THE ARTICLE GROUP:
Diameters from 70 to 159 mm, weights 3.75 to 26.50 kg

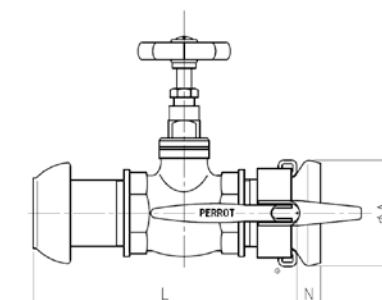


KTxP

T PIECE WITH SHUT OFF

Materials: Galvanized steel
 Use: stepless regulation or complete shut off of material flows
 Operating pressure: size 50–159 mm max. 10 bar

DETAILS ON THE ARTICLE GROUP:
Diameters from 70 mm to 108 mm; weight: 5.90 to 9.05 kg

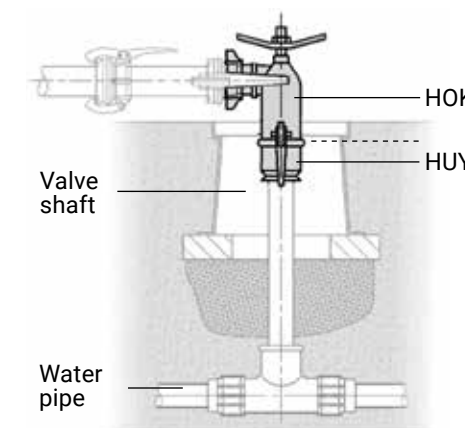


KZA

CARDAN IN-LINE VALVE

Materials: Galvanized steel
 Use: stepless regulation or complete shut off of material flows
 Operating pressure: size 50–159 mm max. 10 bar

DETAILS ON THE ARTICLE GROUP:
Diameters/connections from 50 mm x 1 1/2" to 159 mm x 6"; weight: 2.10 to 26.50 kg



HOKL & HUY

HYDRANT UPPER SECTION & HYDRANT LOWER SECTION 3"

Materials: Galvanized steel
 Use: extraction of water from underground pipes when required

DETAILS ON THE ARTICLE GROUP:
Different diameters. Weight: 4.00 to 6.50 kg Lower section available in 3" Weight: 1.86 kg

Illustrations not to scale with each other

12 PERROT in practice

WHAT CUSTOMERS SAY

“Irrigation is simply the be-all and end-all! I have to be able to rely 100% on everything working well. This is why the investment in the PERROT irrigation system was the best decision I have made!”

Conrad Zielke, Biolandhof Zielke

Being able to rely on the irrigation system is essential for efficient operation. We are proud to learn that

the reliability and system-compatibility of our entire product line are key factors when it comes to sustainability.



IRRIGATION SYSTEMS FOR EVERY NEED AND FOR AREAS OF ANY SIZE SINCE 1925



PERROT
Regnerbau Calw GmbH

Industriestraße 19–29
75382 Althengstett / Germany
Tel. +49(0)7051/162-0
Fax +49(0)7051/162-133

perrot@perrot.de
www.perrot.de/en

Photo credits: Pages 6/7, 10/11, 12, 15, Adobe Stock;
Pages 14/15 Pixabay; Pages 26/27 Ben Gross Fotografie
All other pictures: PERROT Archive